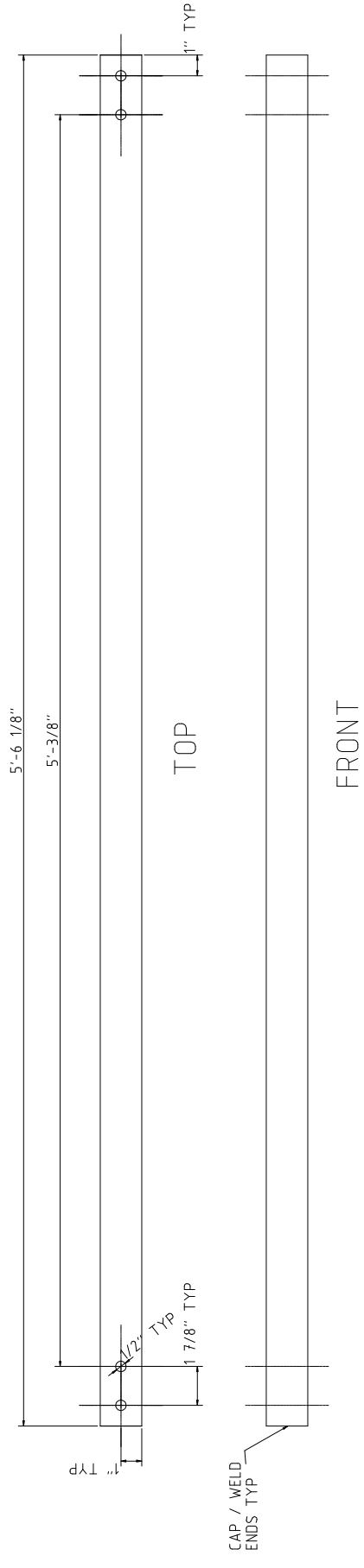
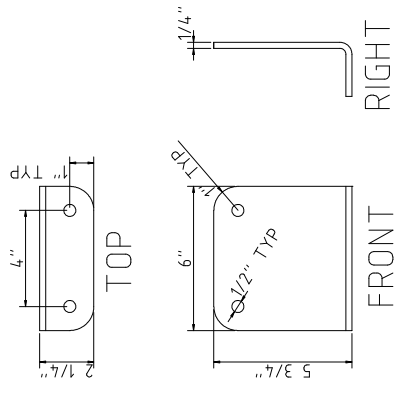


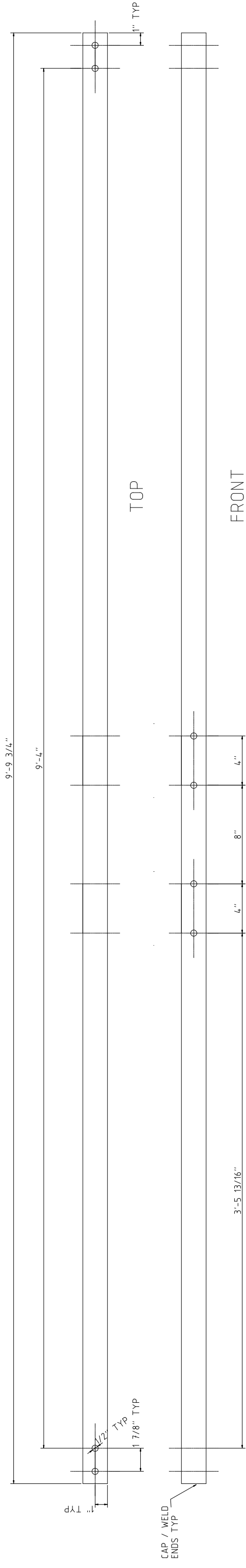
NORTH RAILING



BRACKET ( 2 NEEDED )



WEST RAILING



PROJECT

1054 HOUSE

TITLE

DECK RAILING PLAN