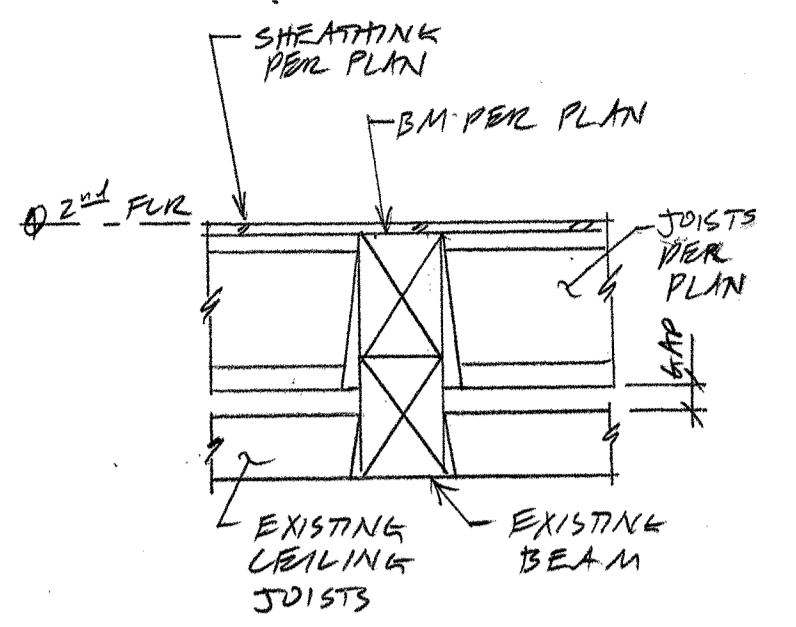
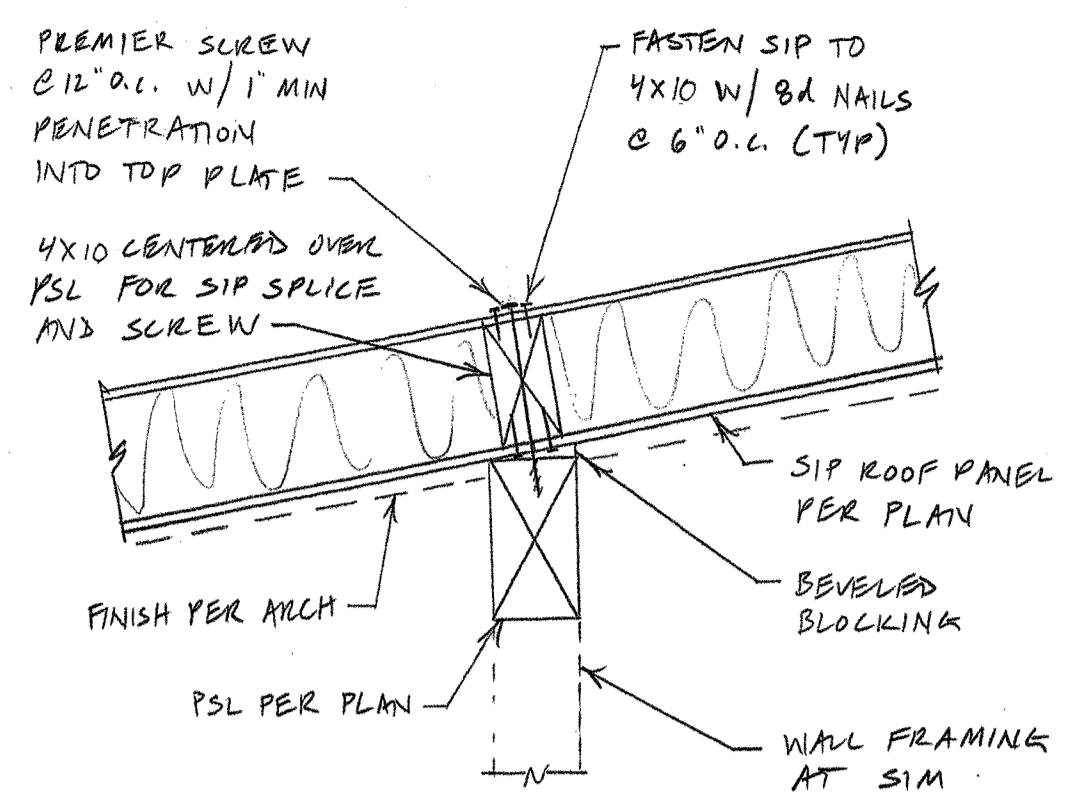


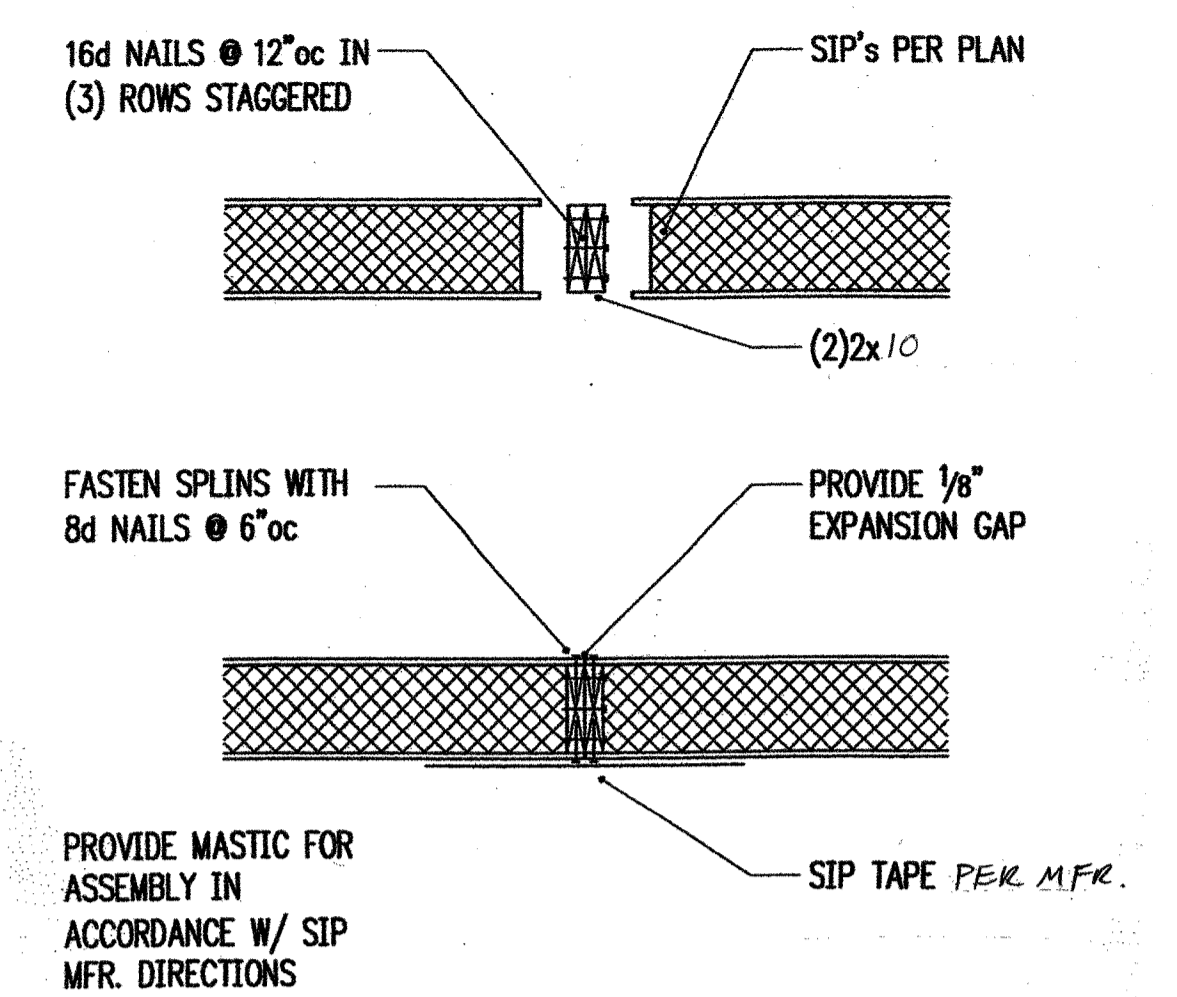
1 TYPICAL HSS POST TO BM CONN.
1 1/2" = 1'-0"



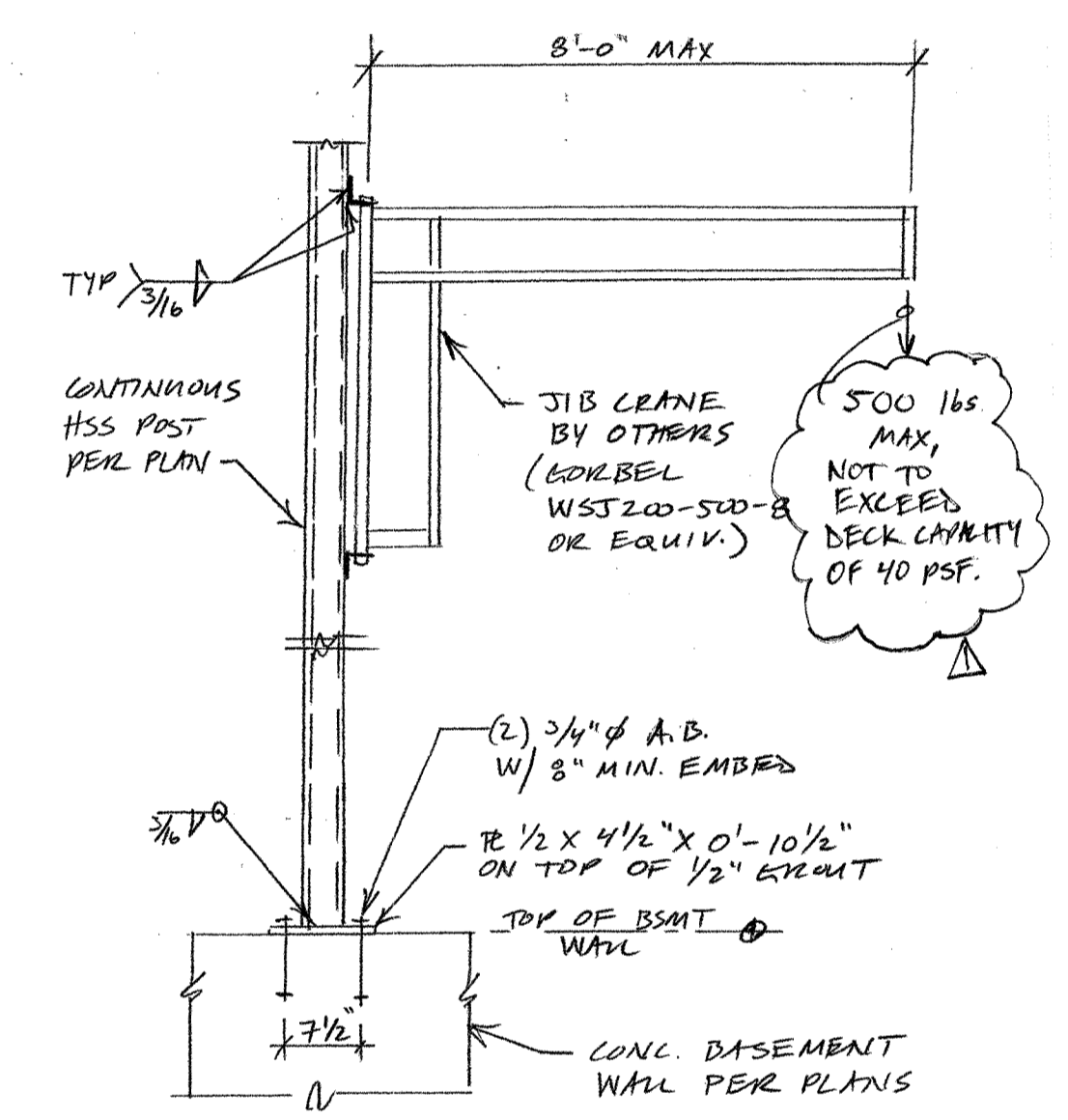
3 SECTION AT EXISTING GL
1" = 1'-0"



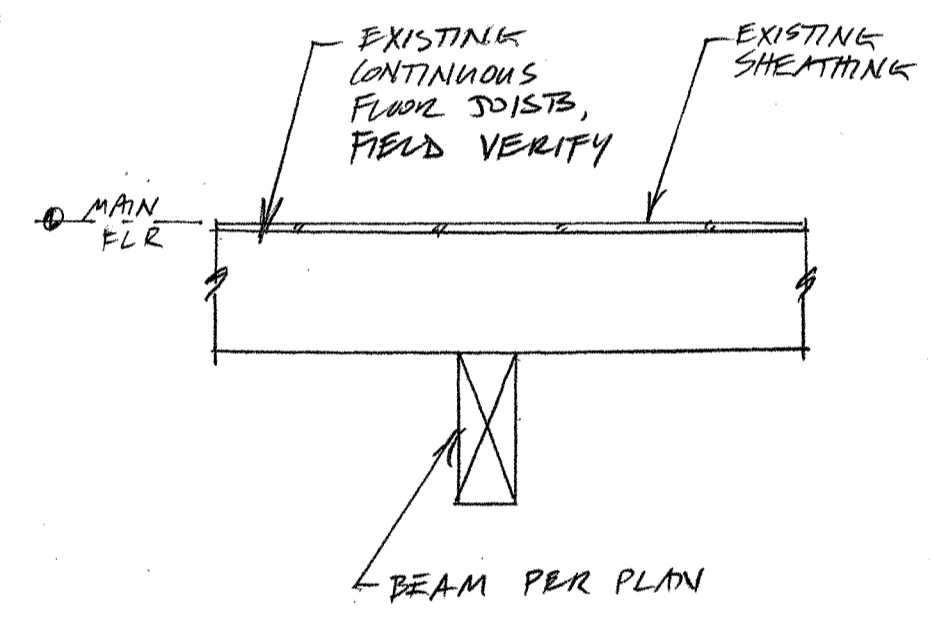
4 TYPICAL ROOF PANEL TO PSL OR INTERIOR BEARING WALL CONNECTION
NTS



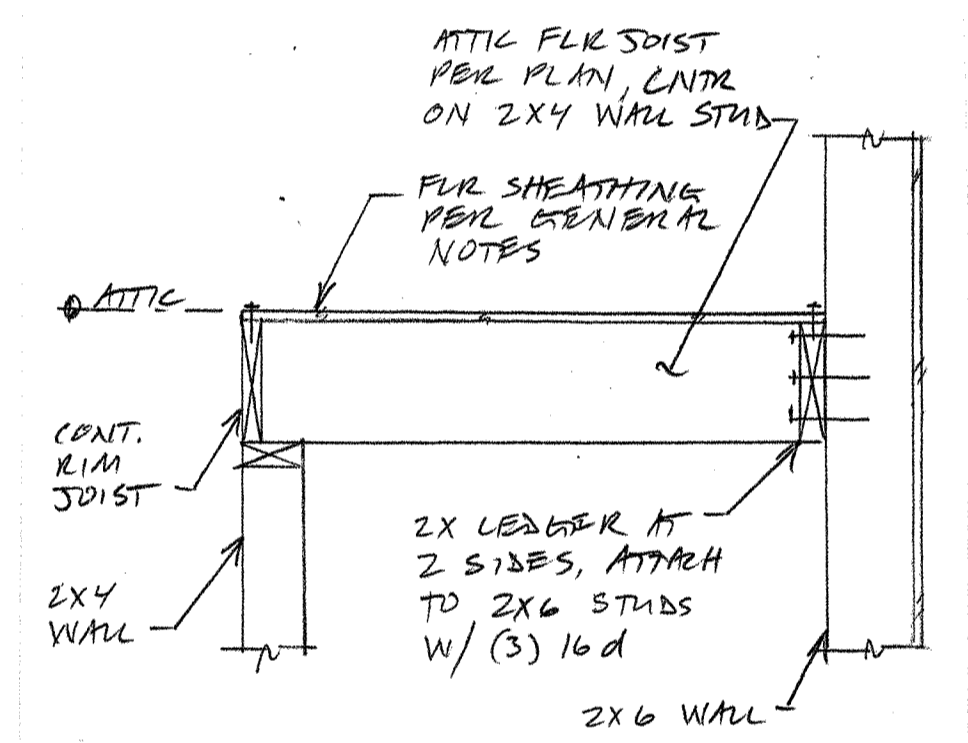
5 TYPICAL SIP PANEL-TO-PANEL CONNECTION
NTS



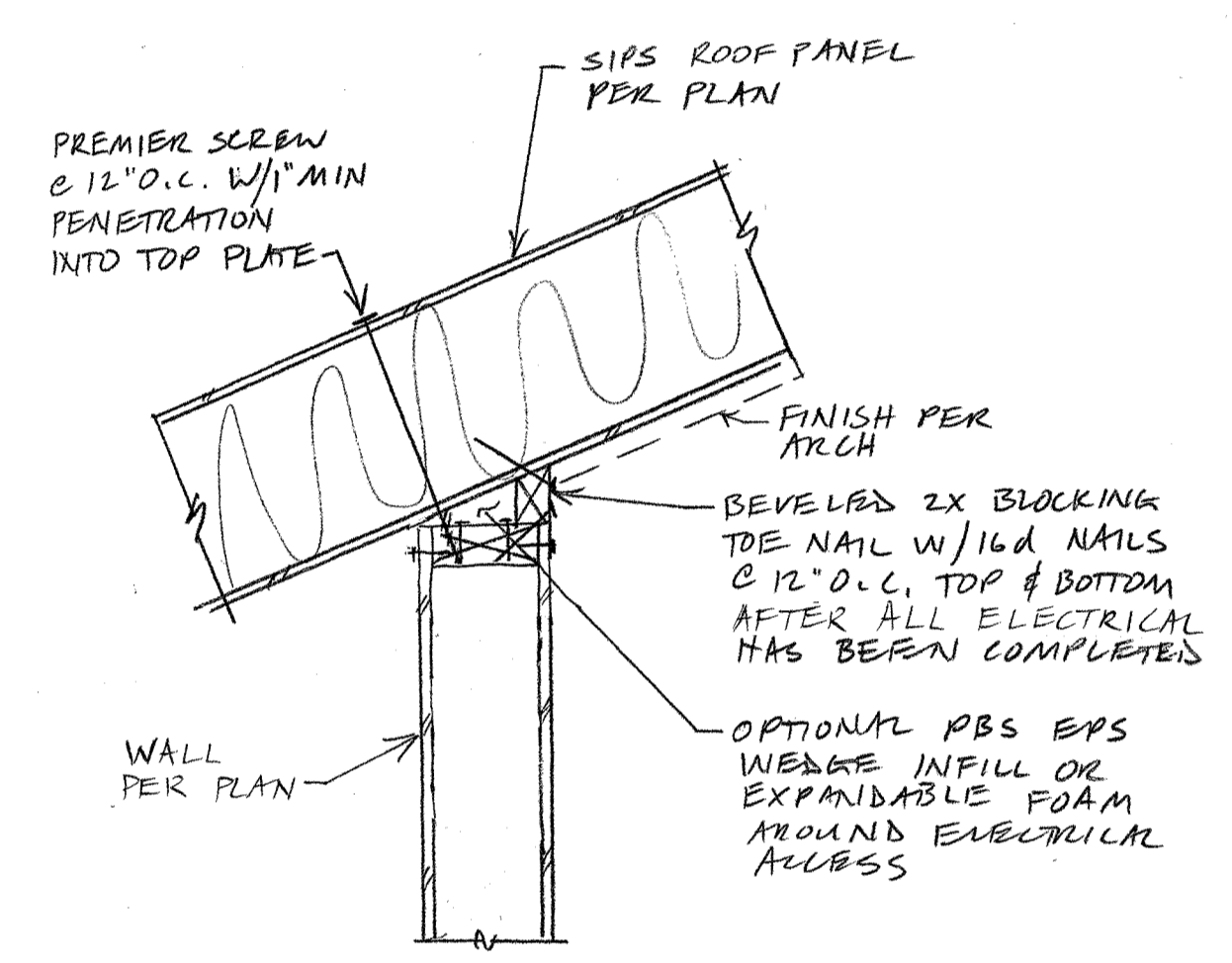
6 JIB CRANE SUPPORT DETAIL
NTS



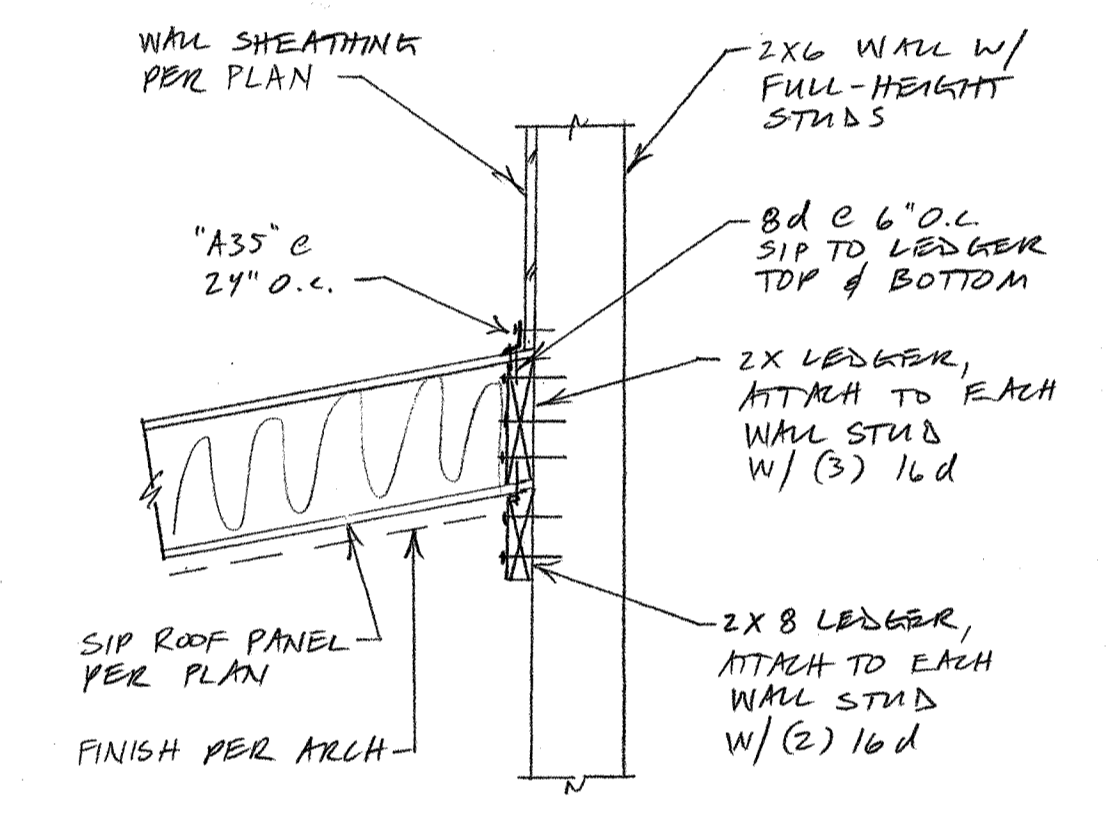
7 SECTION AT MAIN FLR
1" = 1'-0"



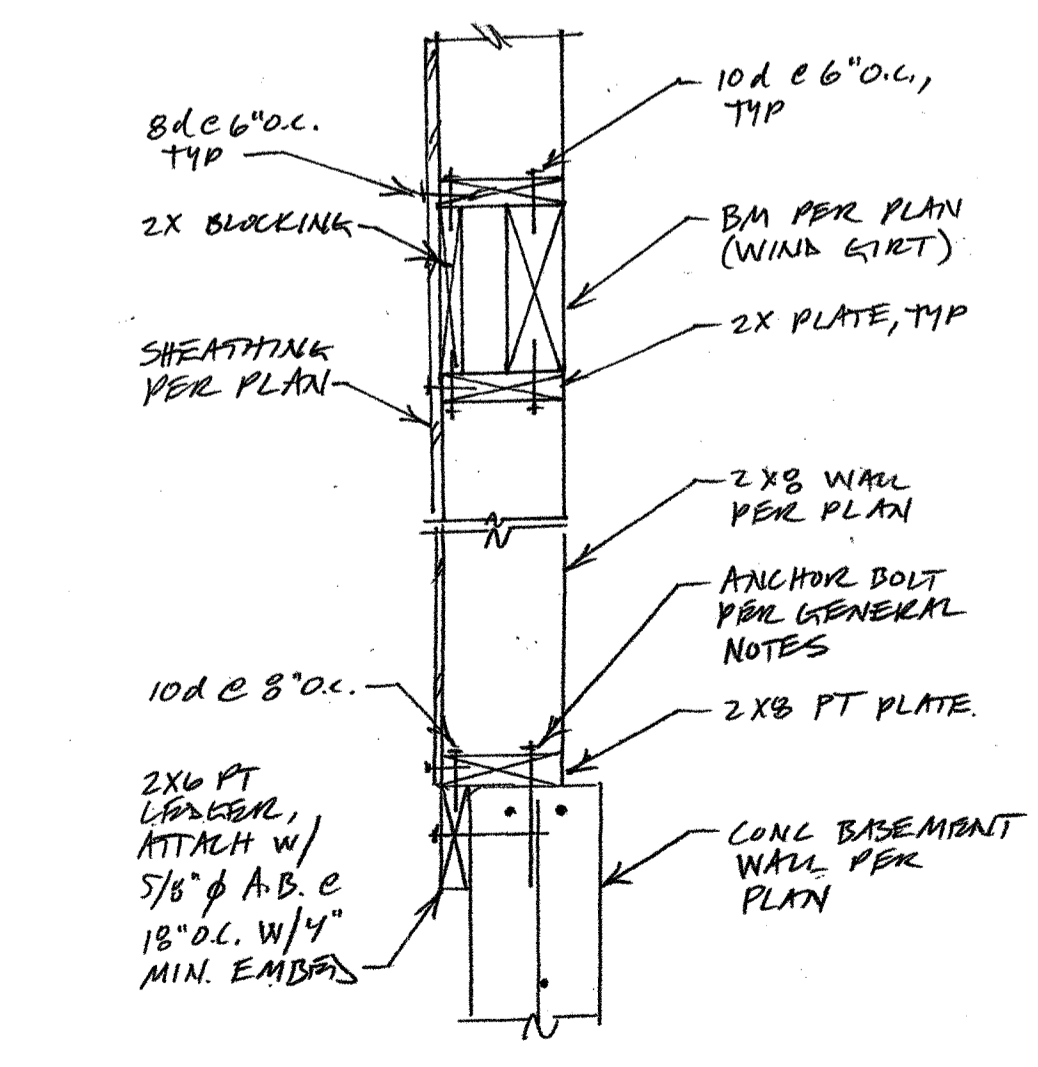
8 SECTION AT ATTIC
1" = 1'-0"



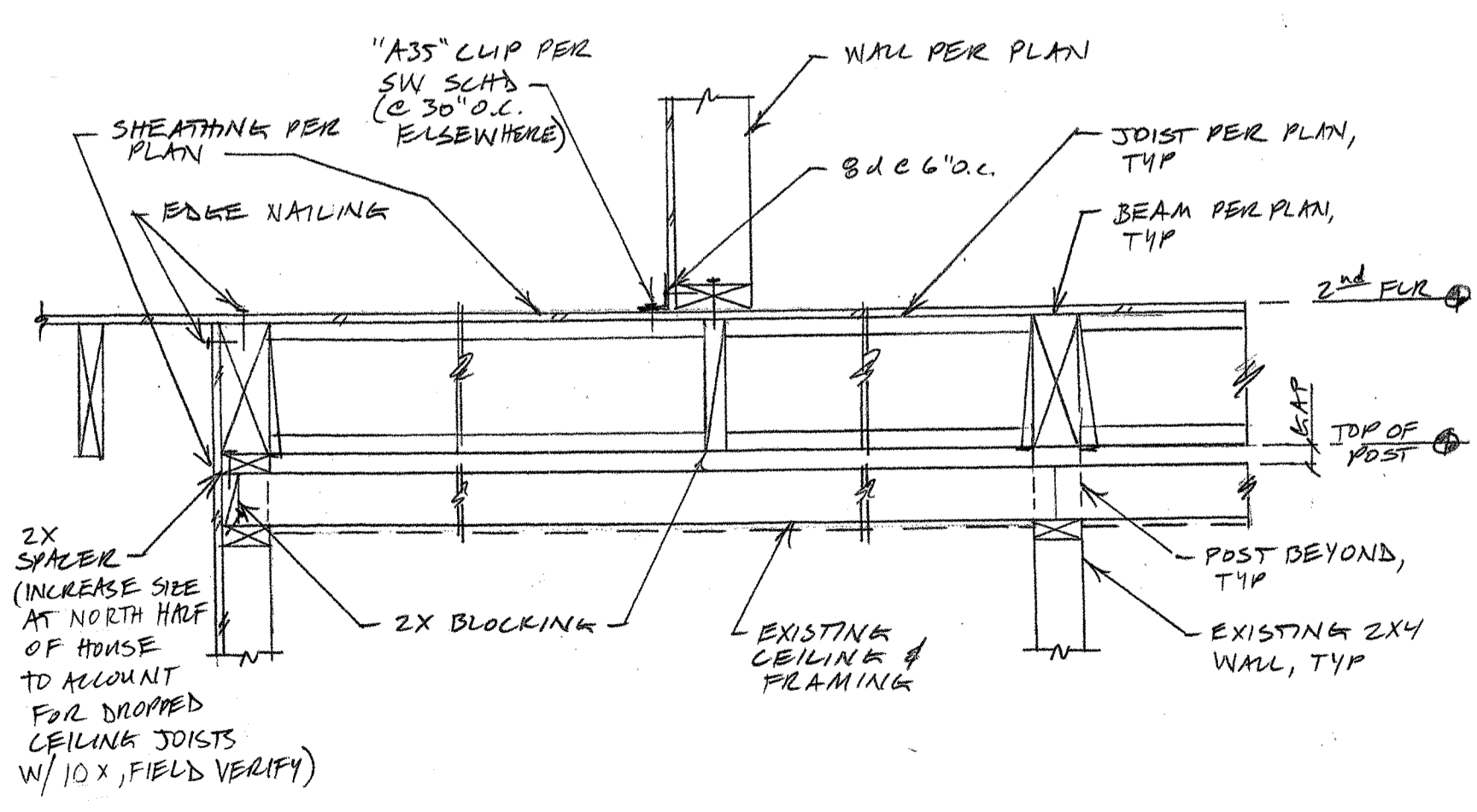
9 TYPICAL ROOF PANEL TO WALL CONNECTION
NTS



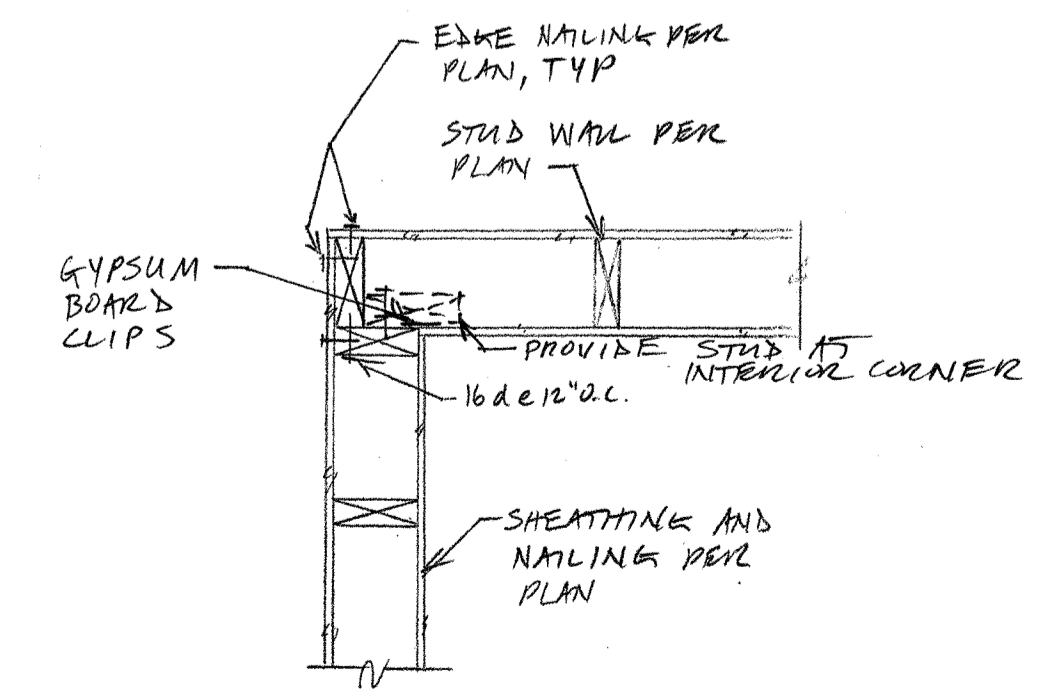
10 SECTION AT ROOF PANEL LEDGER
NTS



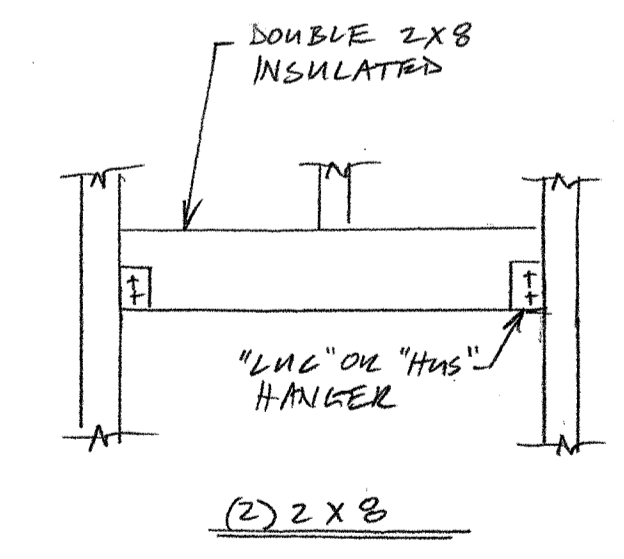
11 SECTION AT 2X8 WALL
1" = 1'-0"



12 SECTION AT 2nd FLR FRAMING
1" = 1'-0"



13 TYPICAL CORNER FRAMING
NTS

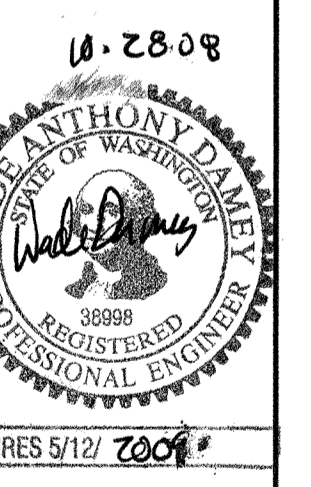


14 TYPICAL HEADER DETAIL
NTS

REVISIONS	BY
4/16/09 - PERMIT	AWB

AWB
ENGINEERING
6333 39th Avenue SW
Seattle, WA 98136
206-650-6196

1054 HOUSE
1054 NE 97TH STREET
SEATTLE, WA 98115



STRUCTURAL
DETAILS

Date 4/16/09
Scale
Drawn
Job
Sheet
S3.1
Of
Sheets

PERMIT SET